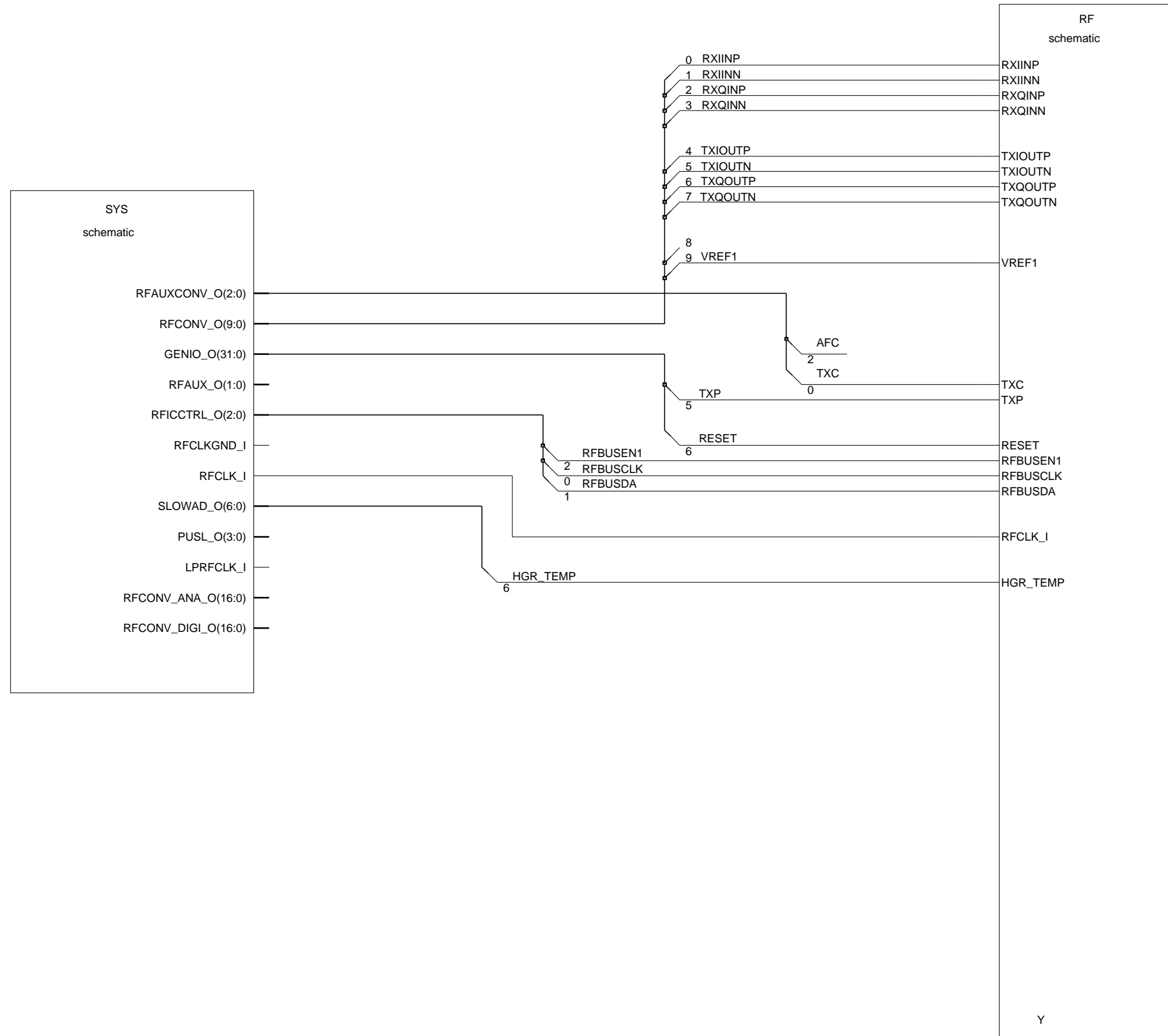


10 - SCHEMATICS

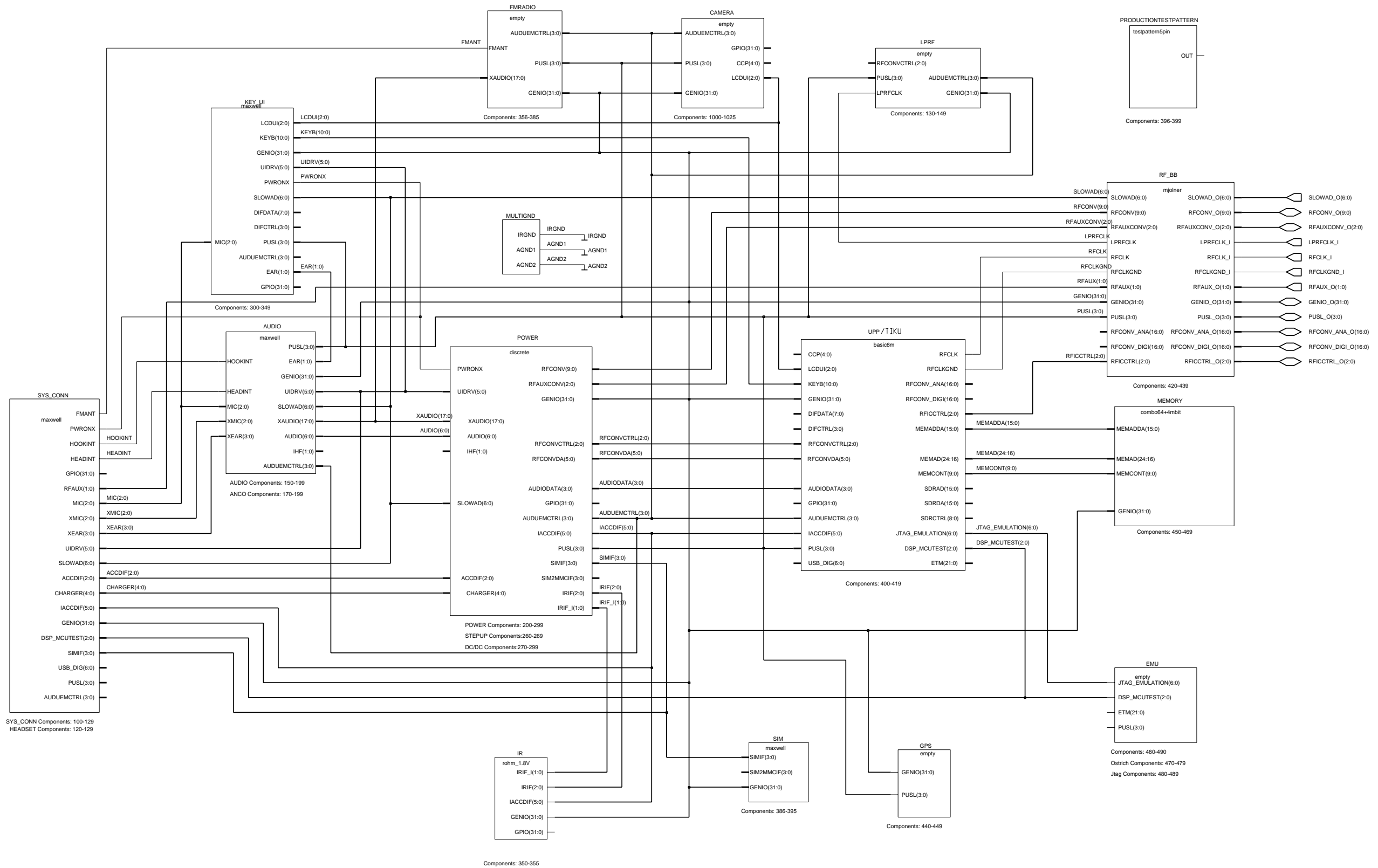
Table of Contents

	Page No
Schematics (Table of Contents) .....	10-1
Top sheet .....	10-2
DCT4 Common Baseband Schematic (Top Level) .....	10-3
NPL-2 System Connector .....	10-4
NPL-2 User Interface .....	10-5
SIM reader for NPL-2 .....	10-6
Discrete Power Management .....	10-7
DC/DC Converter .....	10-8
For old power discrete users .....	10-8
PWR resistor 1210 .....	10-9
Light filtering .....	10-9
UPP 8M Implementation .....	10-10
Discrete decoupling capacitors for UPP .....	10-11
Combo Memory 64 + 4 Mbit .....	10-12
Empty wing sheet .....	10-13
Discrete capacitor for memory without VFlash1 .....	10-14
FM radio unit is not included in this product .....	10-14
5 pin Reduction Test Pattern .....	10-15
GSM RF - Baseband Interface .....	10-16
NPL-2 Audio .....	10-17
MultiGND symbol bypass .....	10-18
GPS Empty sheet .....	10-18
Rohm IR Module 1.8V .....	10-19
IR resistor 1210 .....	10-20
RF Top sheet .....	10-20
Power Amplifier .....	10-21
Mjoelner .....	10-22

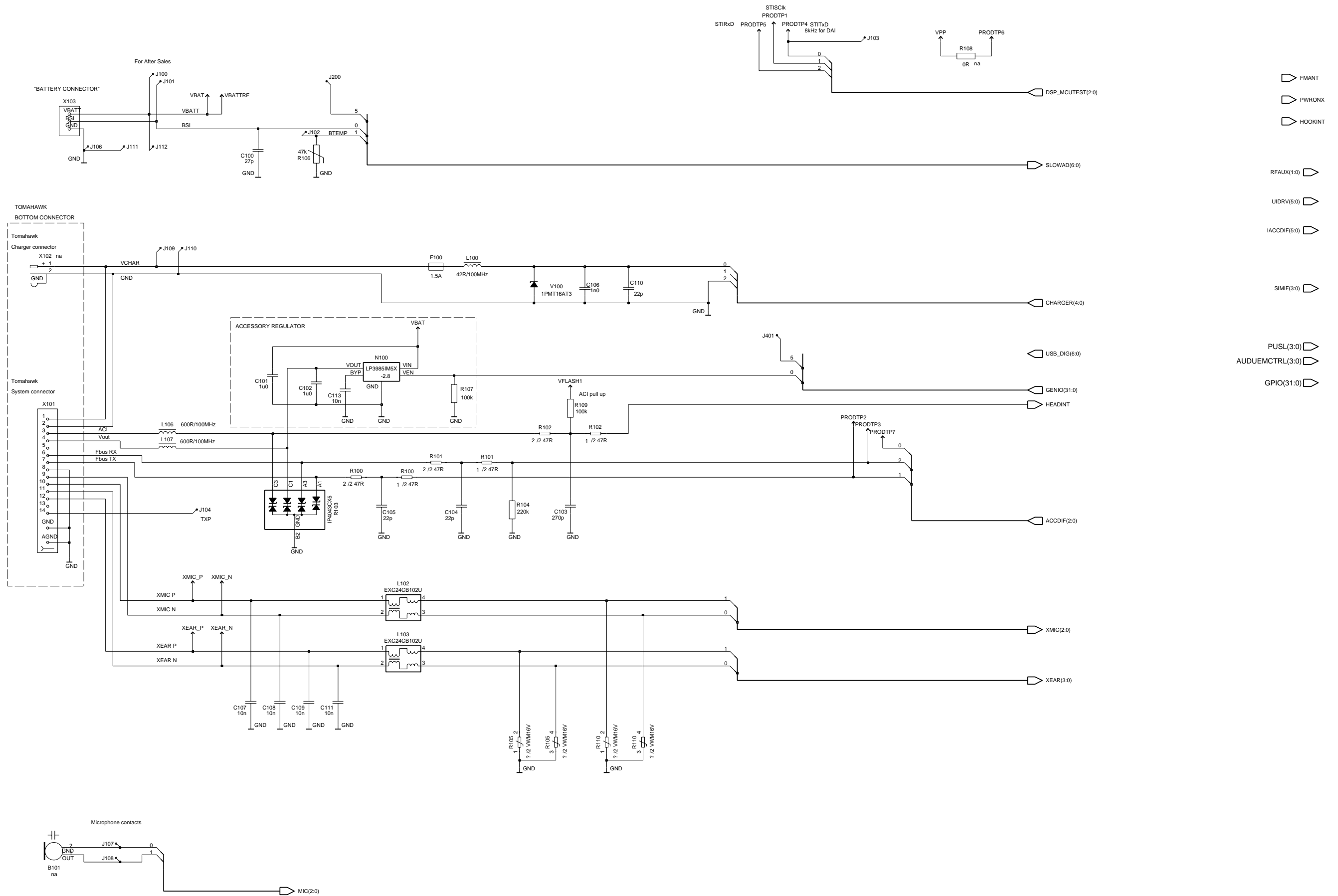
Title Top sheet



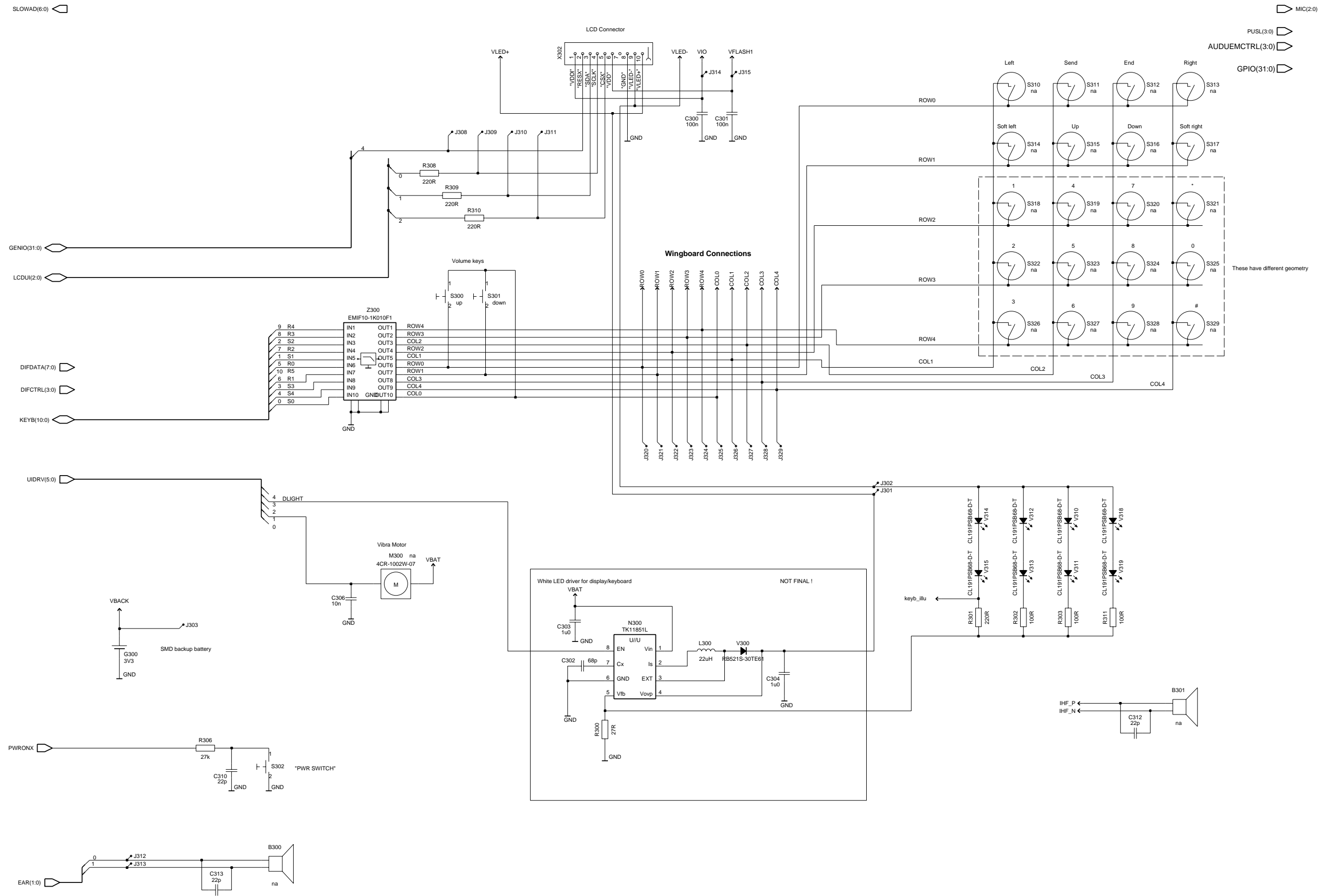
Title DCT4 Common Baseband Schematic (Top Level)



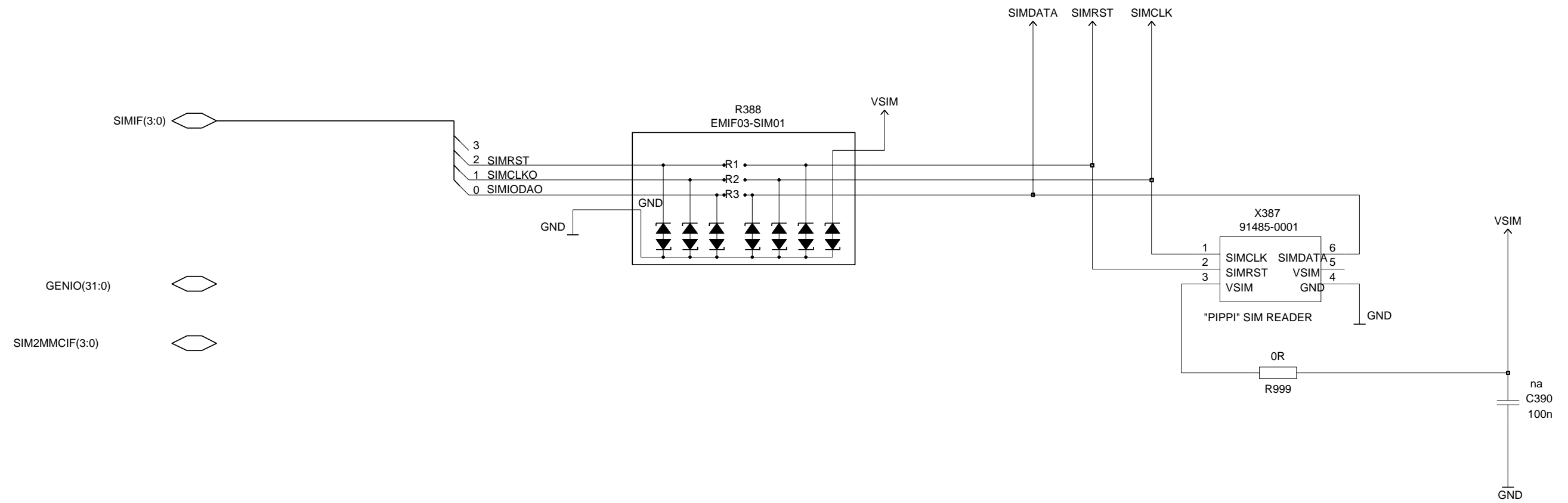
Title NPL-2 System Connector



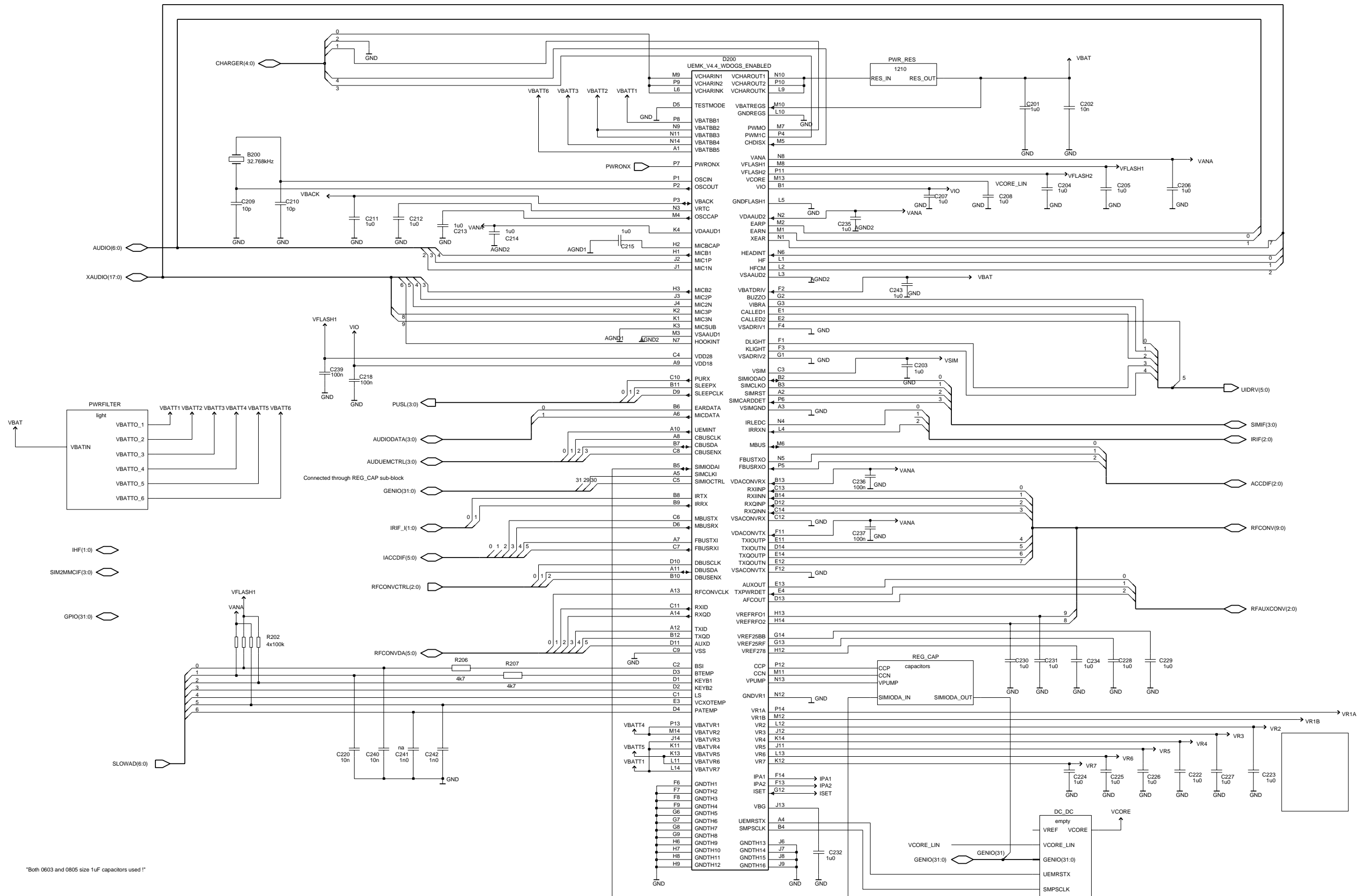
Title NPL-2 User Interface



Title SIM Reader



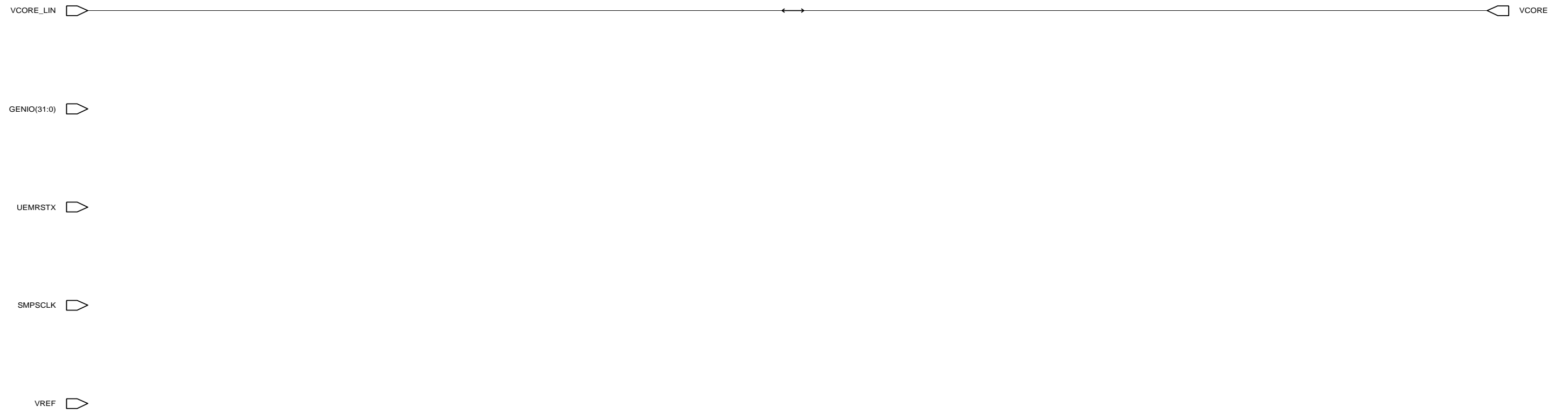
Title Discrete Power Management



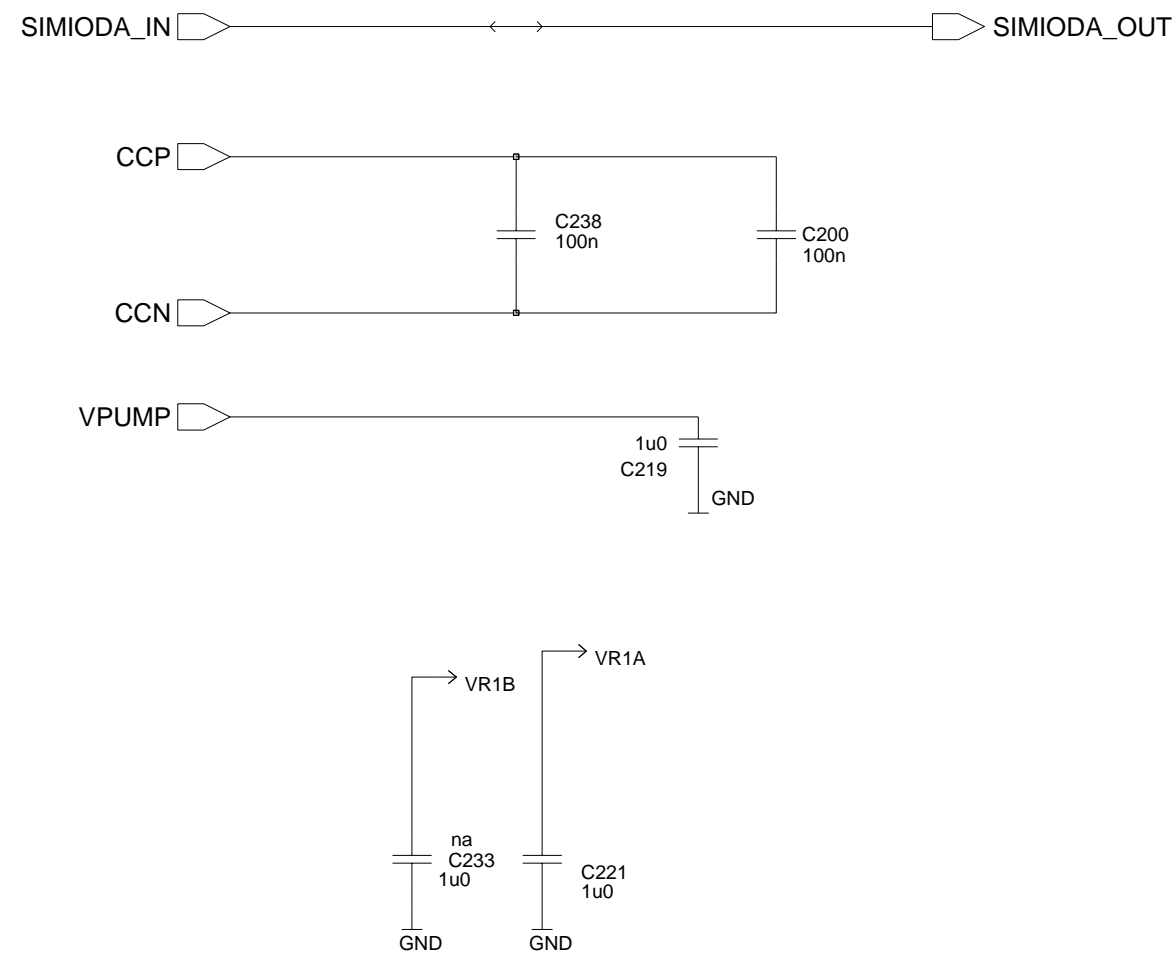
\*Both 0603 and 0805 size 1uF capacitors used !

Used refs in REG\_CAP: C238, C200, C219, C233, C221 and R205

Title DC/DC Converter

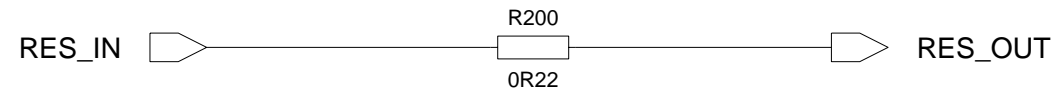


Title For old power discrete users

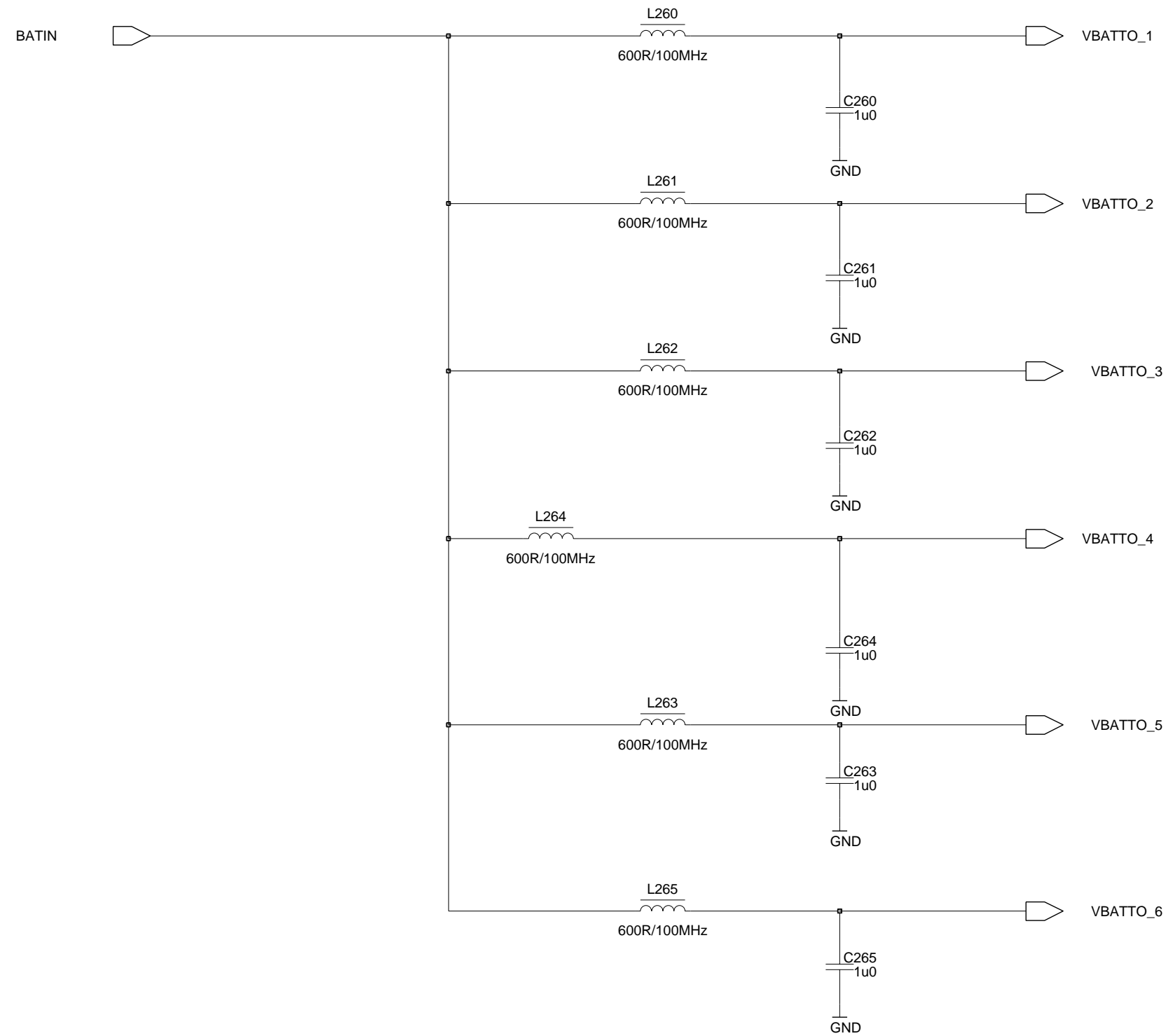




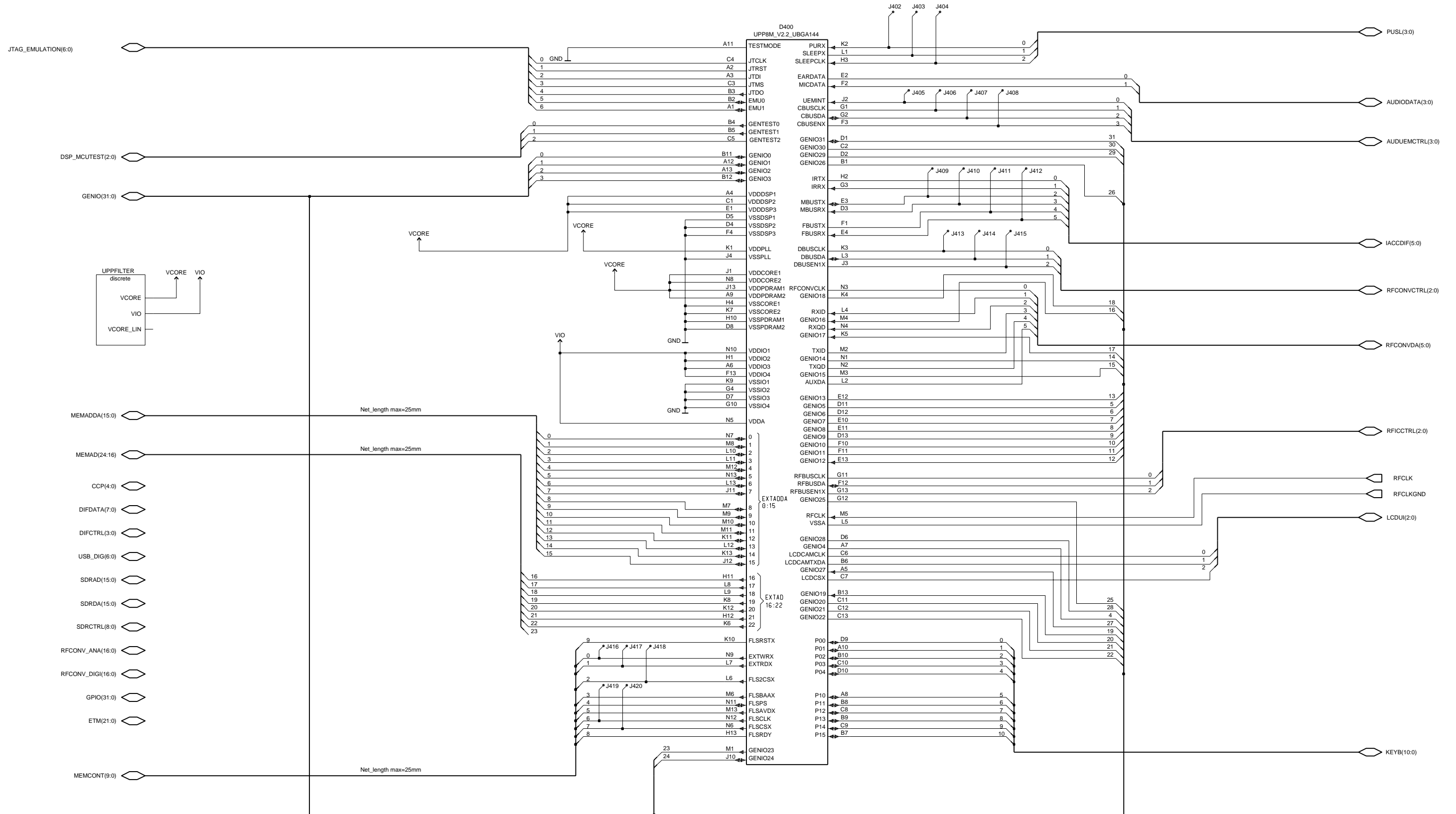
Title PWR resistor 1210



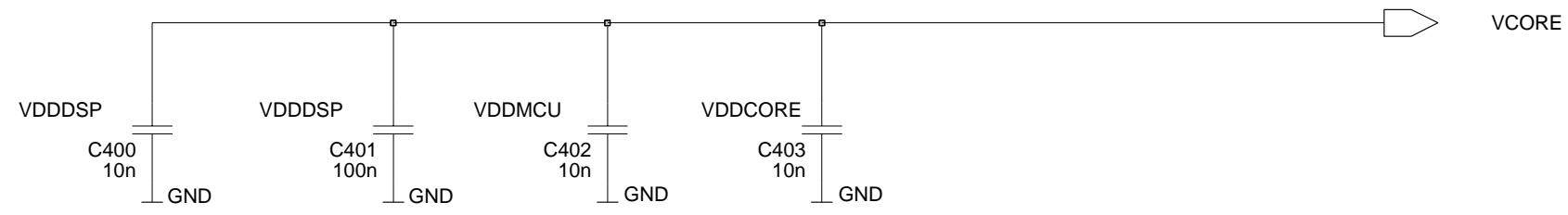
Title Light filtering



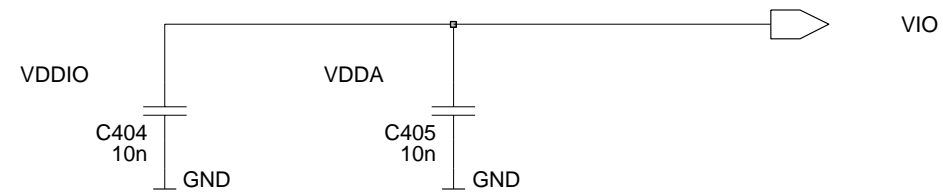
Title UPP 8M Implementation



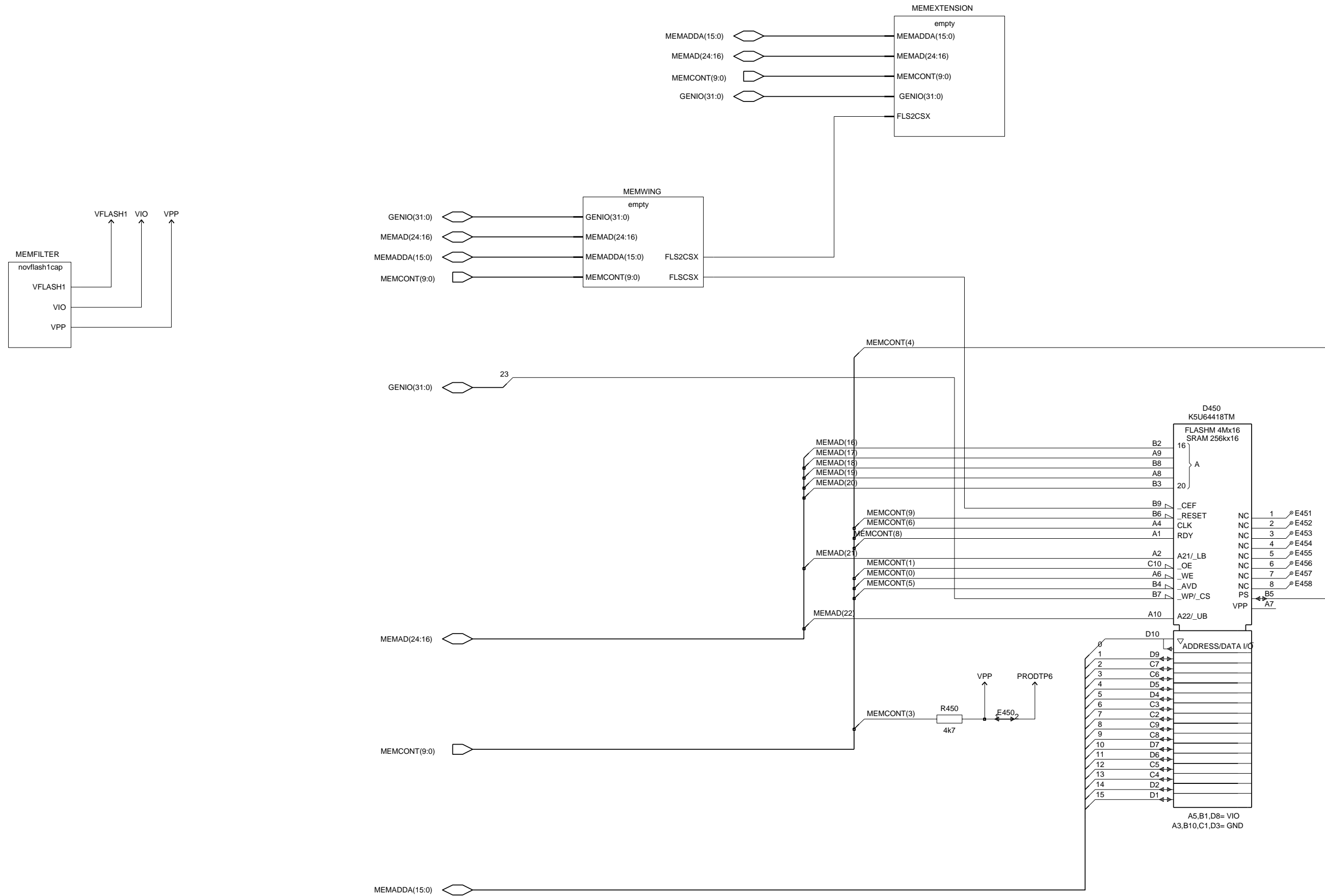
Title Discrete decoupling capacitors for UPP



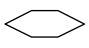
VCORE\_LIN

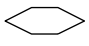


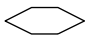
Title Combo Memory 64 + 4 Mbit



Title Empty wing sheet

MEMADDA(15:0) 

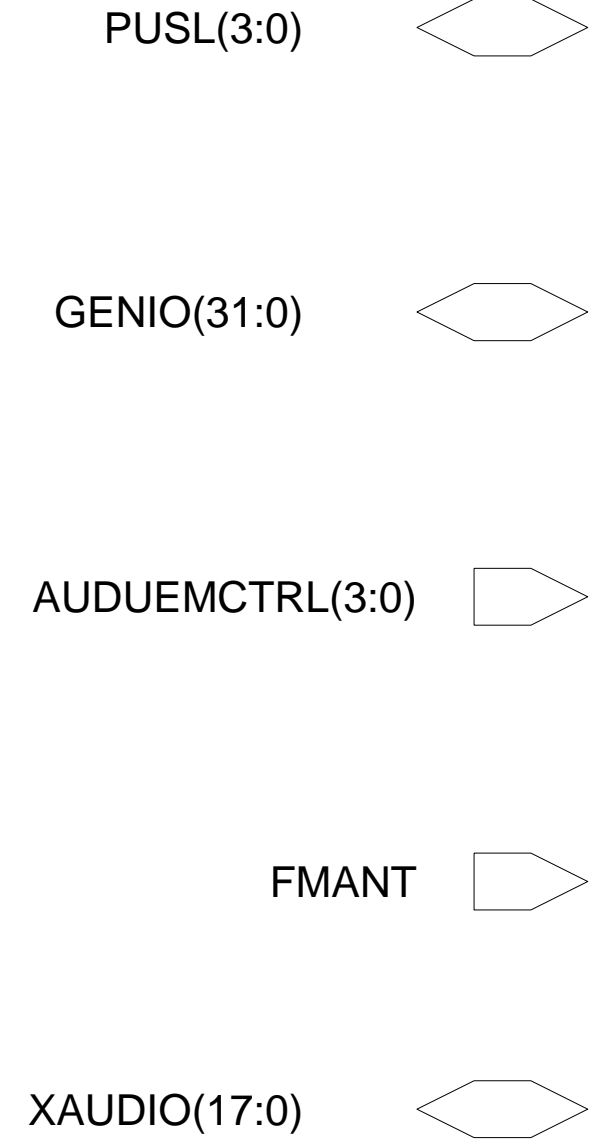
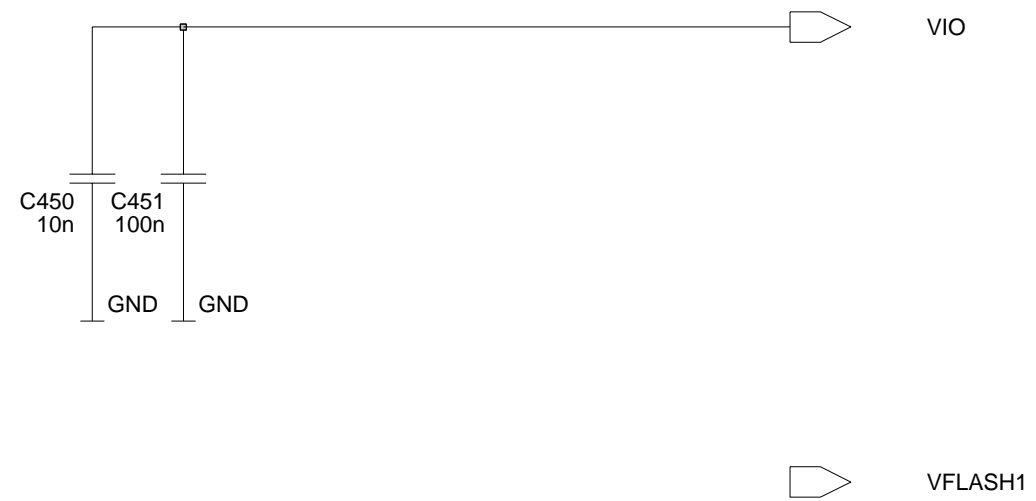
MEMAD(24:16) 

GENIO(31:0) 

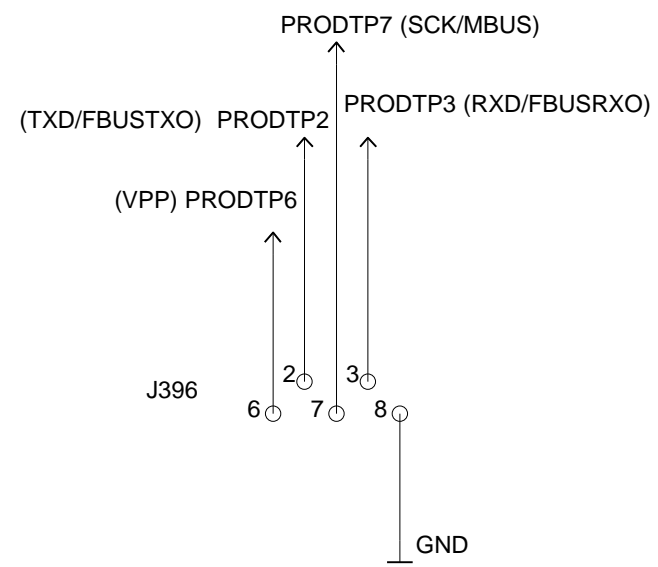
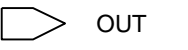


Title Discrete capacitors for memory without VFlash1

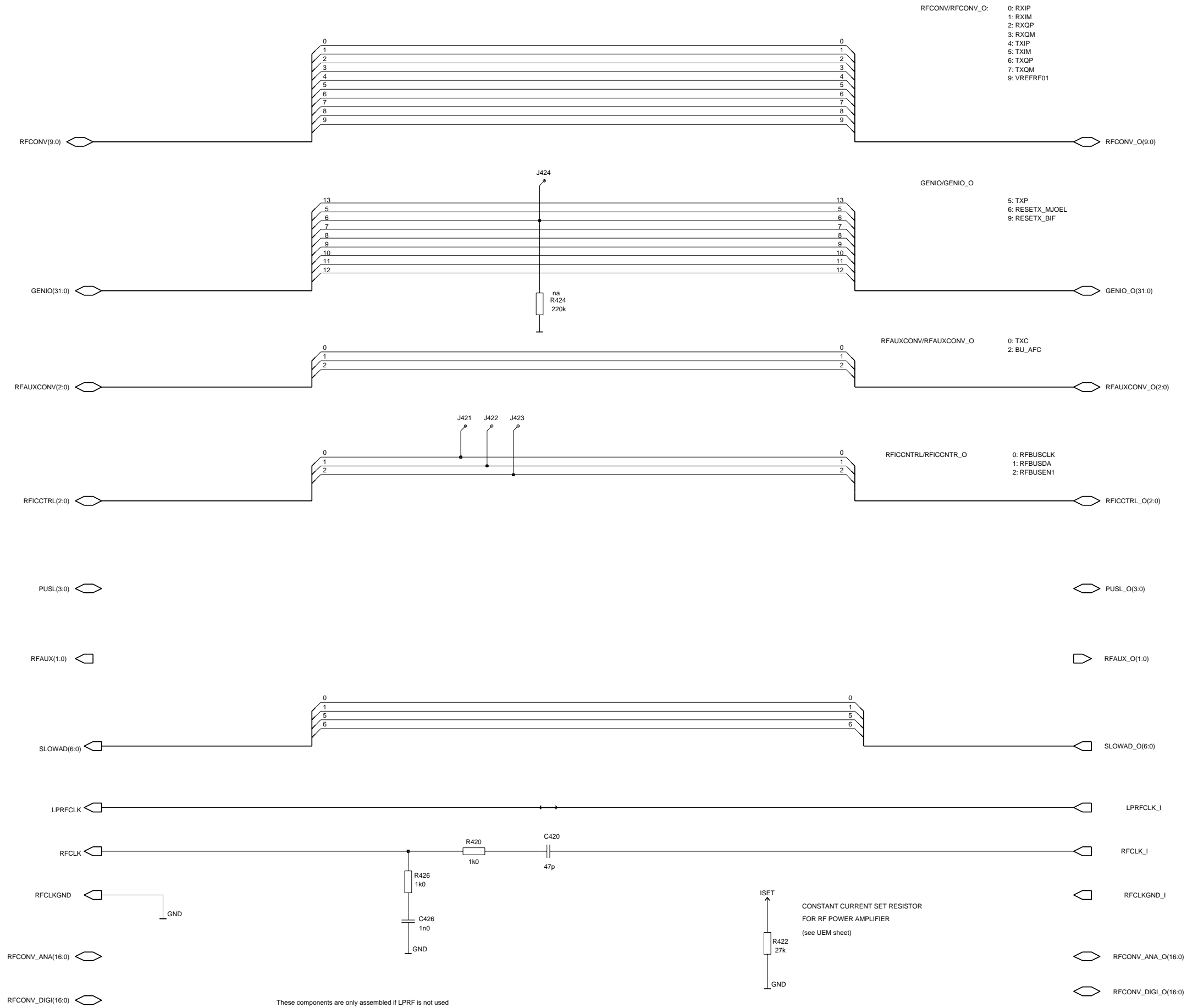
Title FM radio unit is not included in this product



Title 5 pin Production Test Pattern



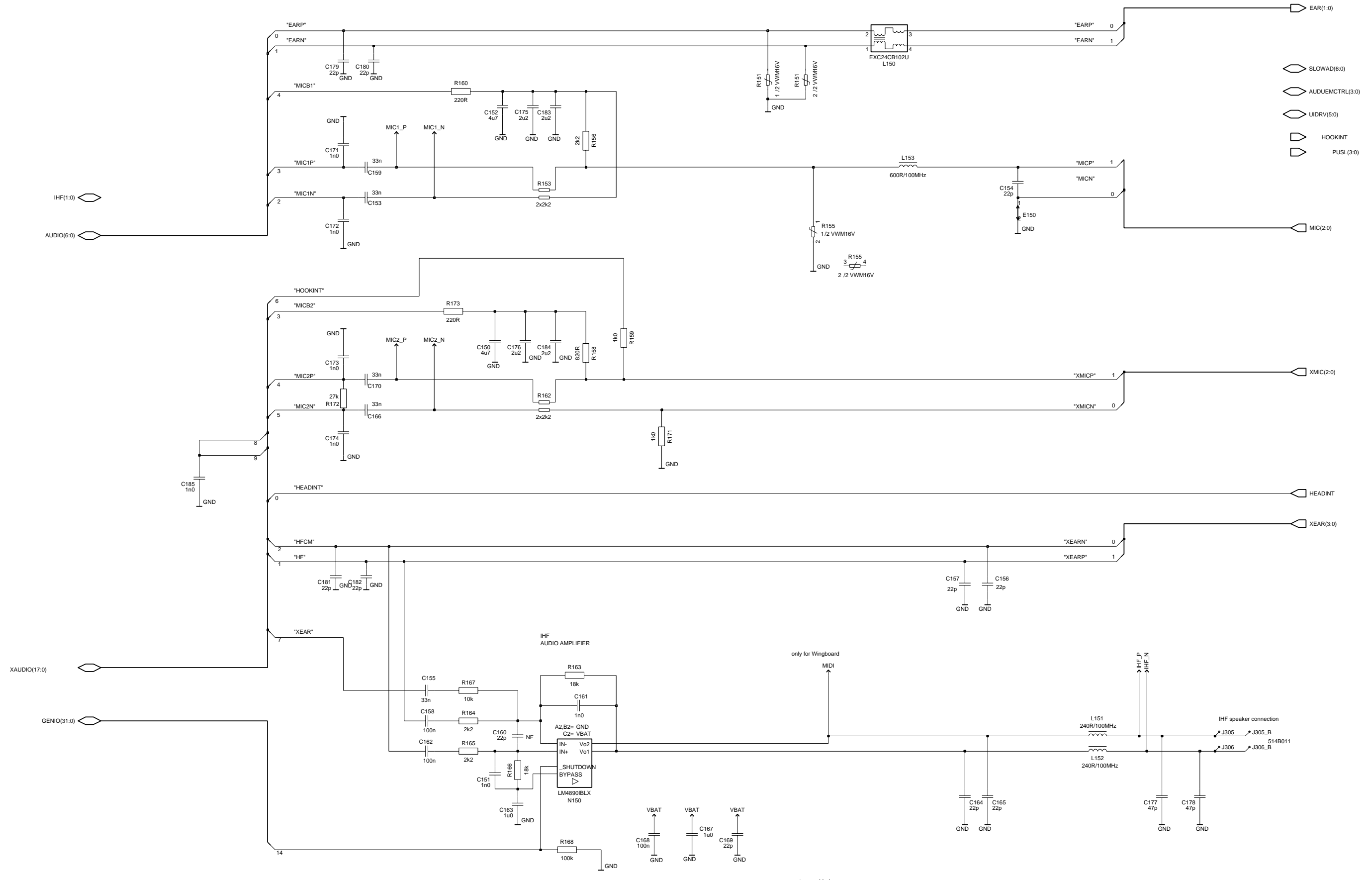
Title GSM RF - Baseband Interface





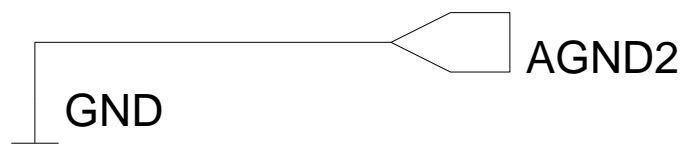
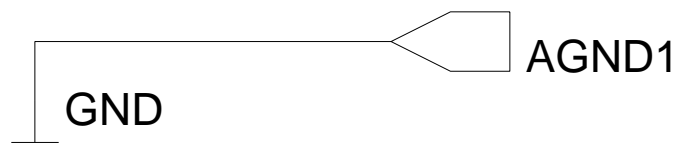
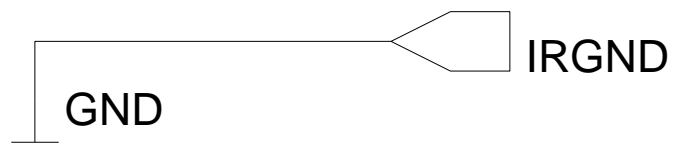
Title NPL-2 Audio

Varistor arrays have reliability issues

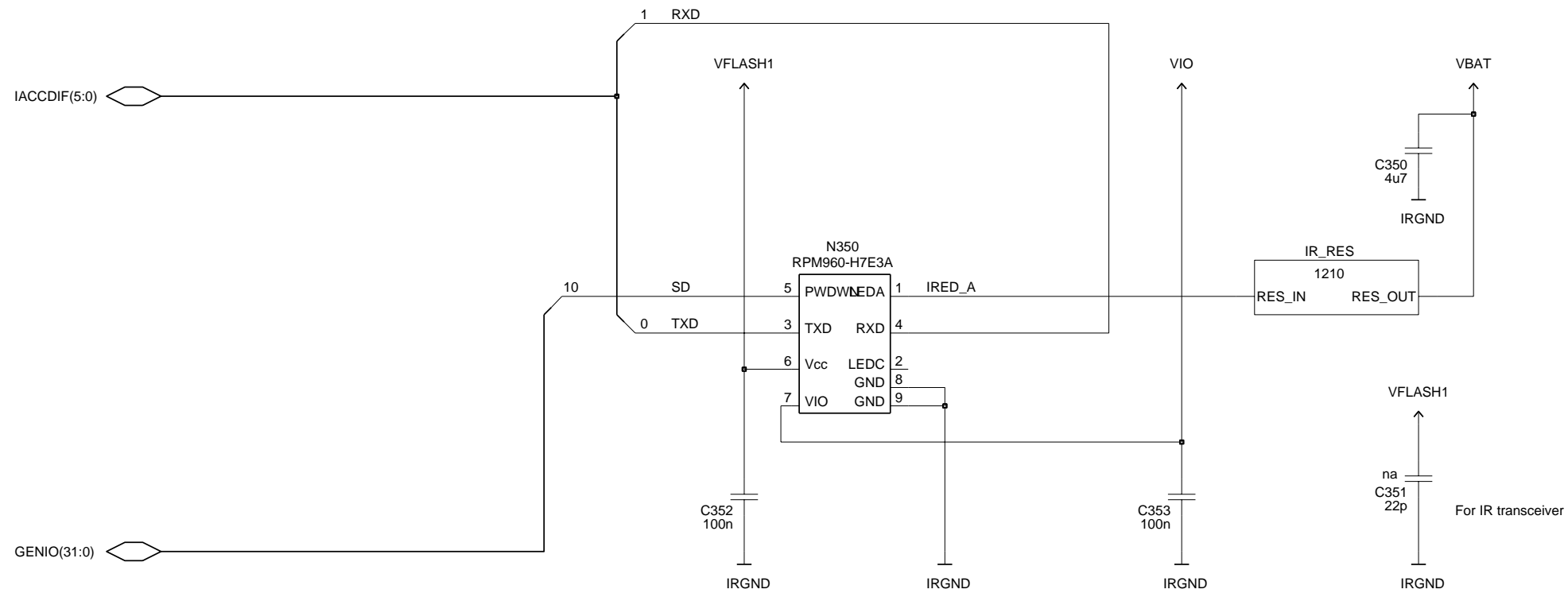


Title MultiGND symbol bypass

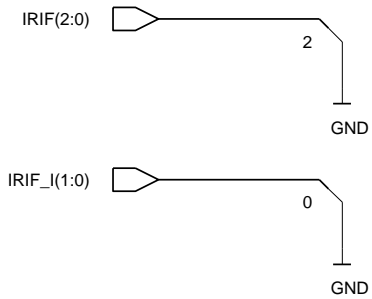
Title GPS Empty sheet



Title Rohm IR Module 1.8V



GPIO(31:0)

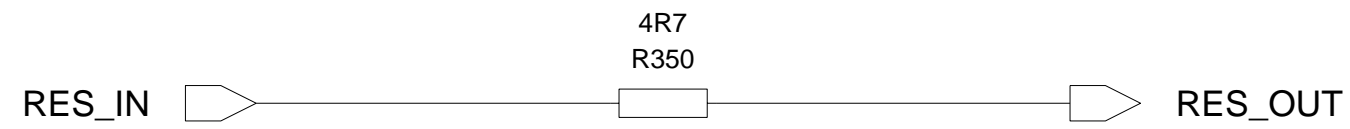


UEM IR level shifters are ground, when 1.8V IR is used!

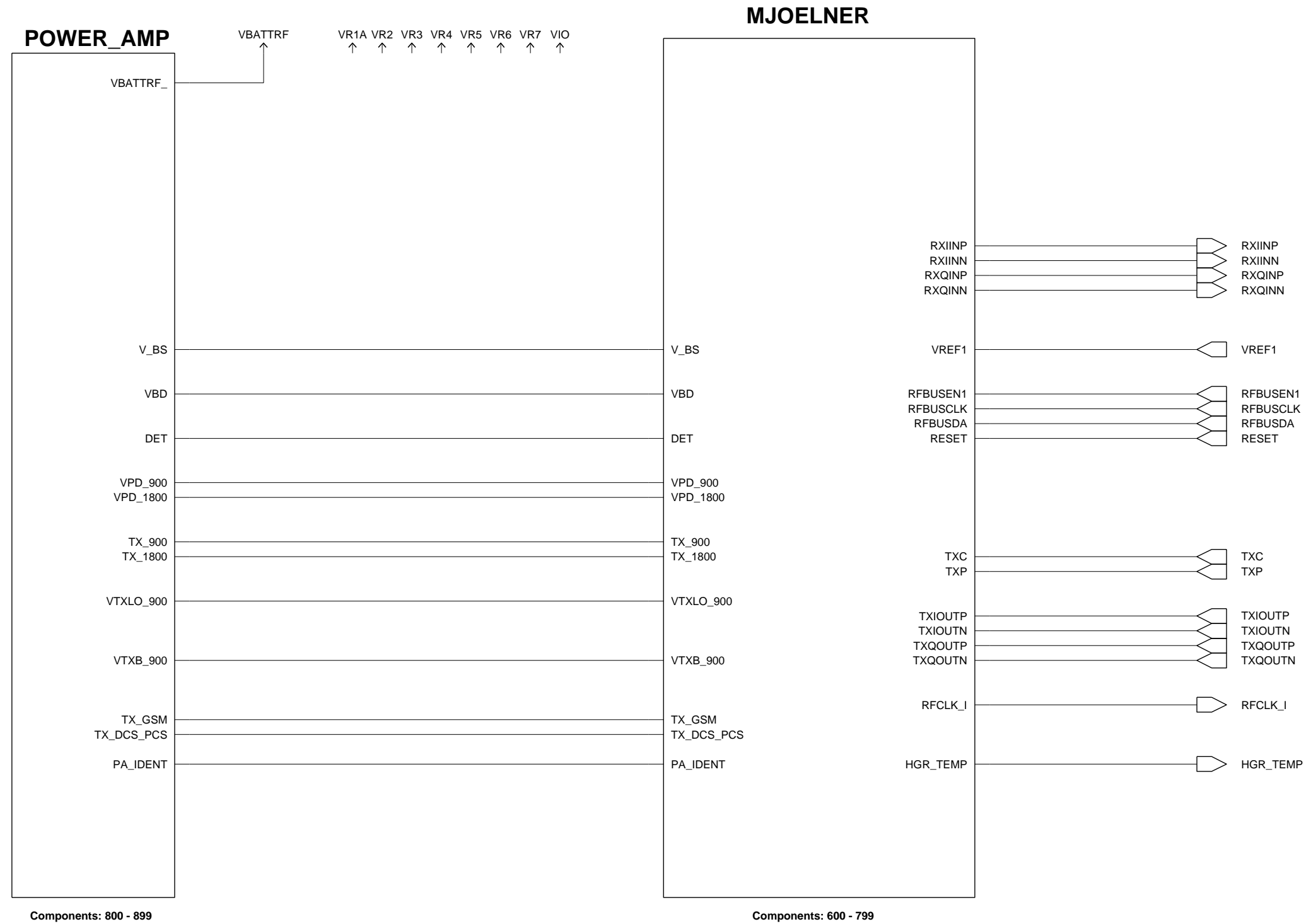
Used referenses

- C 350 - 353
- N 350
- R 350

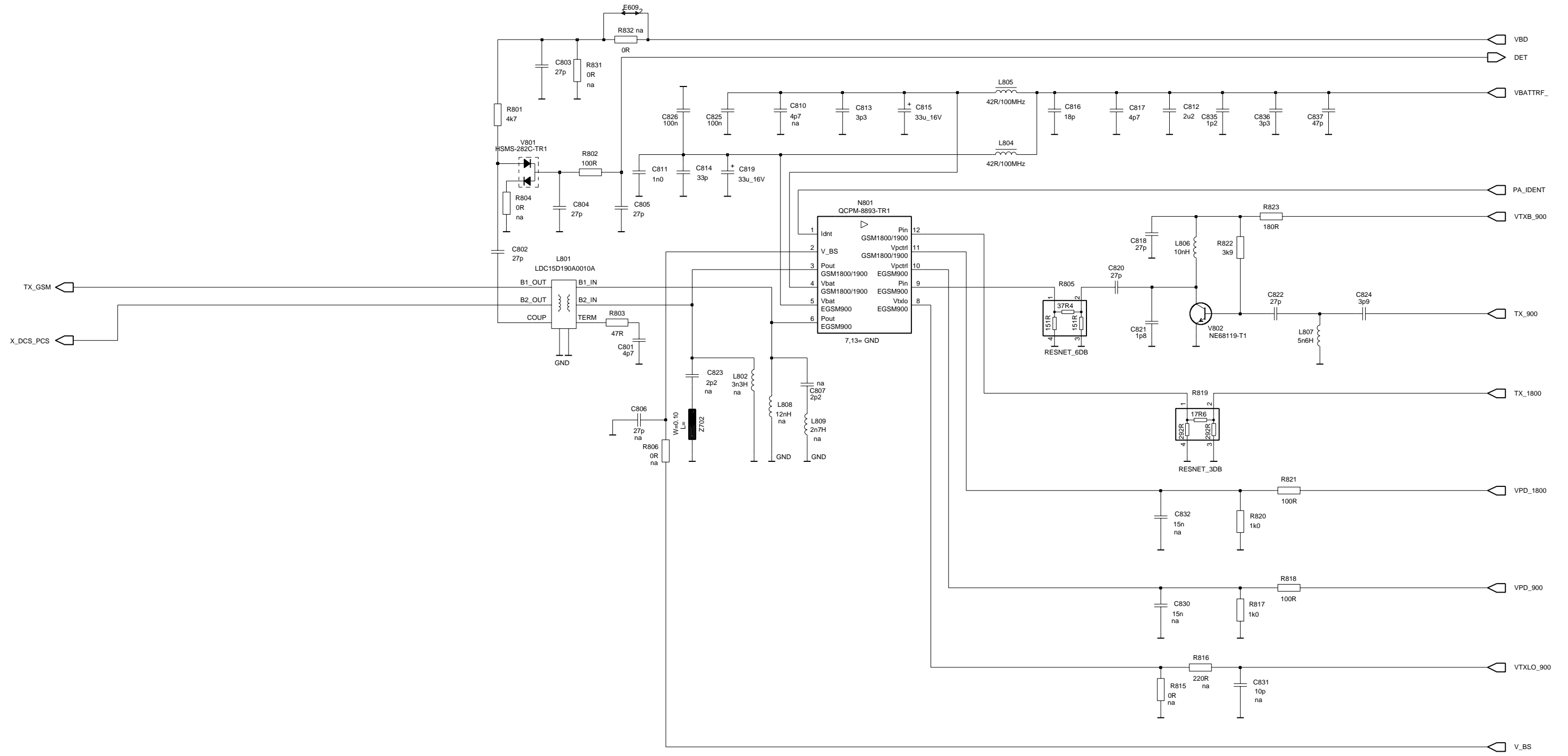
Title IR resistor 1210



Title RF Top sheet

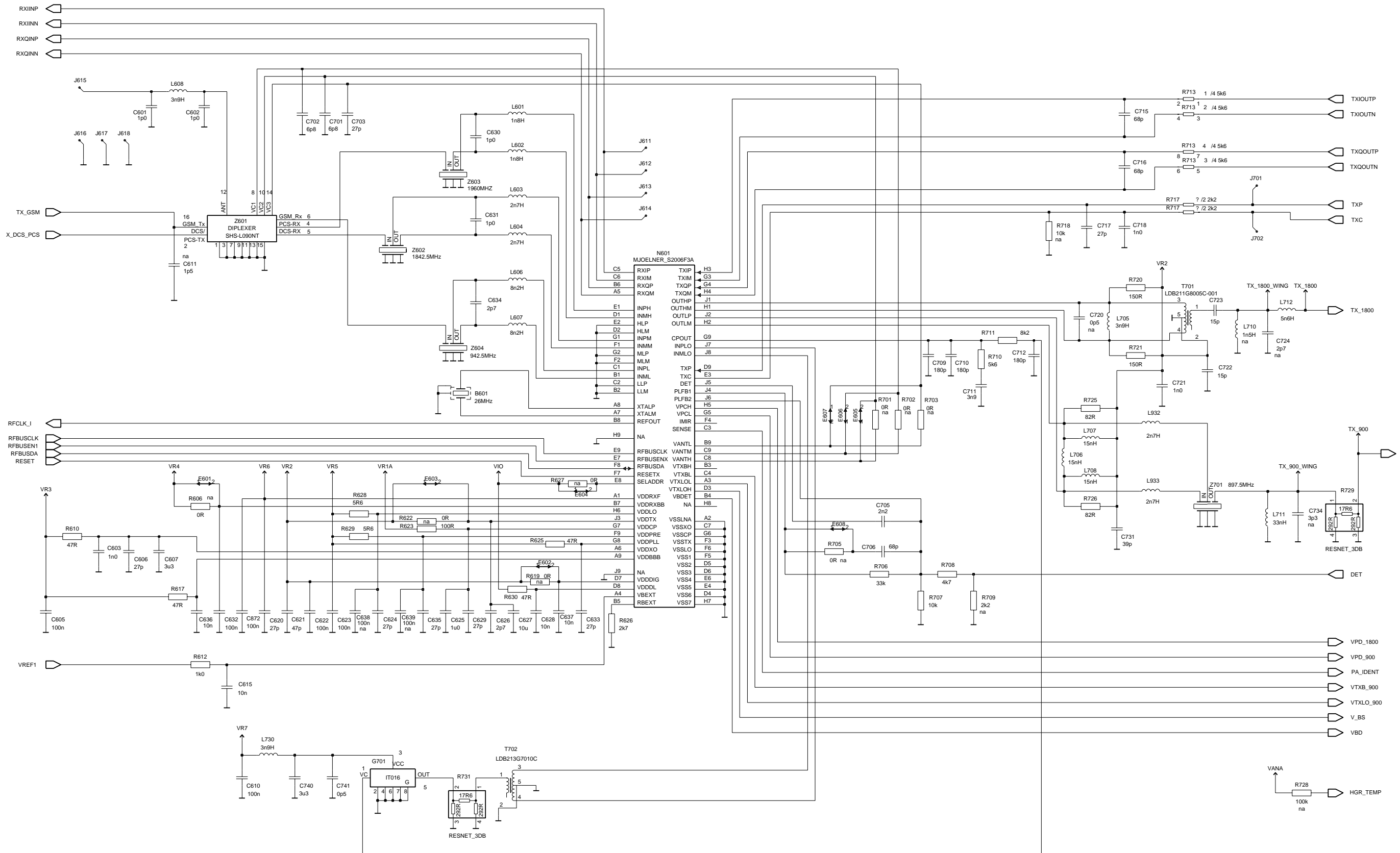


Title Power Amplifier



na = not assembled

Title Mjoelner



na = not assembled